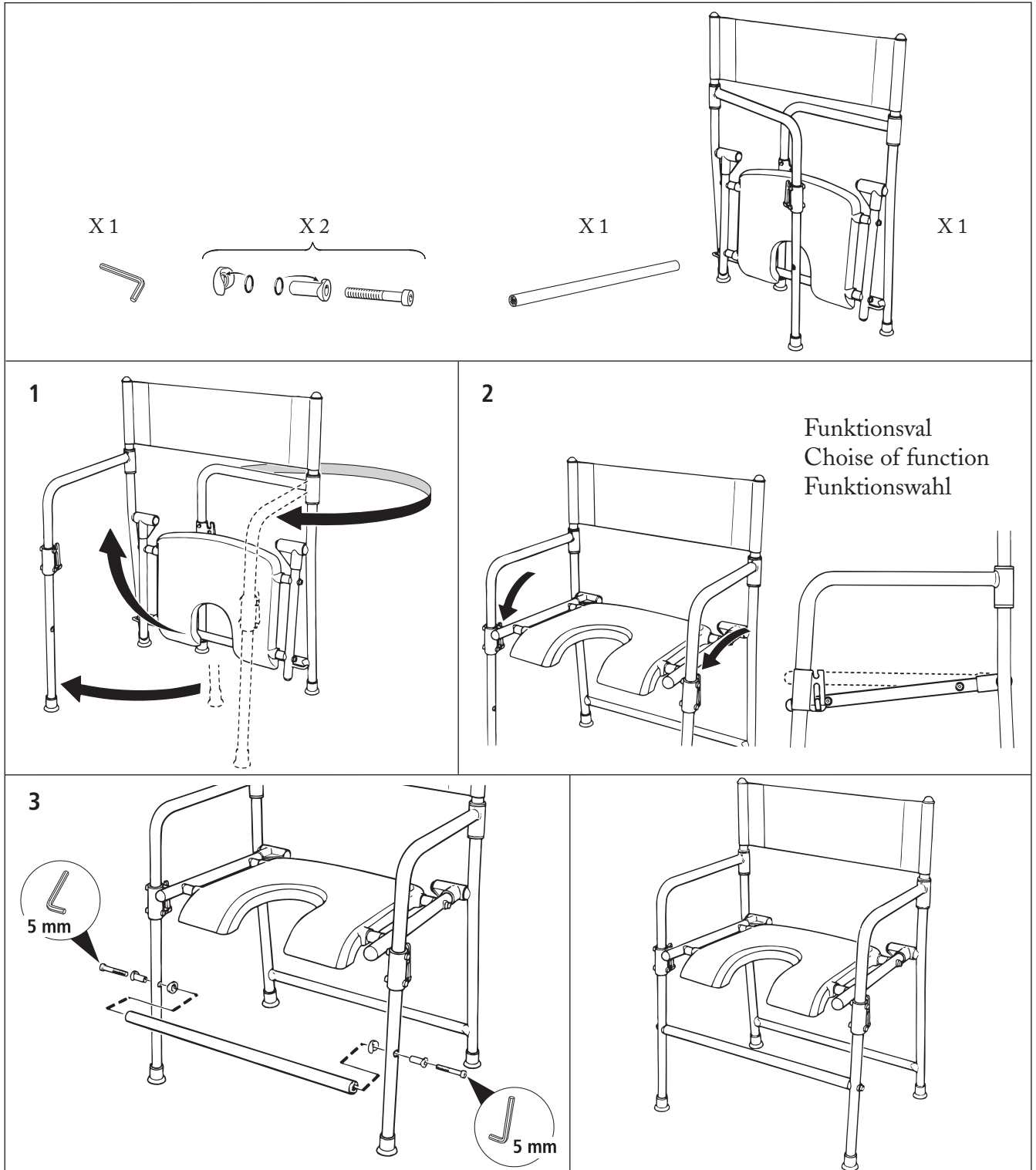


# Rufus Plus

Duschstol  
 Showerchair  
 Duschstuhl  
 Art. nr. 8120 8015



78157B  
 09-08-04  
 Etac AB, Box 203, SE-334 24 Anderstorp  
 Tel. +46/371-58 73 00, Fax. +46/371-58 73 90  
 www.etac.com

max 200 kg	max 440 lbs	pH min 5 max 9	max 85°C 3min	max 185°F 3min
------------------	-------------------	----------------------	---------------------	----------------------

